

EFEKT

ARMATURA



www.efekt.gniezno.pl
marketing@efekt.gniezno.pl
Tel. +48 61 427 22 45
Fax. +48 61 429 21 90

SELF DRILLING TAPPING VALVE NWZ-SN

to PE & PVC pipes



Type : Drilling valve NWZ-SN to PE&PCV – PN 10 / 16



Materials and construction characteristic :

Body – made of ductile iron GJS-500-7 acc. to PN16 and cast iron GJL-250 to PN10. Whole body protected against unscrewing by four screws made of steel with zinc coating or stainless steel A2 / A4 accordance to customer request

Mandrel – made of stainless steel 1.4021, multio-ring sealing

Drill – made of stainless steel 1.4021 with cutting edge ends to PE and PVC pipes. Special edges geometry keep waste pipe ring material inside of the drill. Drill shape provide operational shut-off device

Tapping saddle – made of EN GJS-500-7 connected with the saddle by thread. Tapping saddle parts are connected by 4 screws M12 (galvanized). Accordance to customer request option of stainless steel A2 / A4 finishing and full inner saddle rubber coating

Ring – made of stainless steel 1.4301 adjusted to drill shape guarantee open/close function of the valve

Saddle screws – in class 8.8 galvanized. Accordance to customer request option of stainless steel A2 / A4

Self drilling valves NWZ-SN are designed to make new connection under pressure on the existing pipeline made of pipes PVC-U and PEHD80, PEHD100 – single layer. We offer option of construction adjustment accordance to multi layer pipes accordance to project specification

Application :

- Patent industrial design
- Efficient drilling bit patent
- Manufactured accordance to PN-EN 1074-1 i 2:2002, PN-EN 1171:2007
- Drilling valve is composed of body that include guiding mechanism and cutting edges to PE and PVC pipes. Tapping saddle is available in diameter range DN 63 – 315 [mm] (other diameters acc. to special request)
- Saddle contain rubber gasket that guarantee leakproofness
- Valves are available with threaded female outlet connection – DN32 - 5/4” ; DN40 - 6/4” ; DN50 - 2”
- Female thread of outlet accordance to DIN ISO 228-1
- Connection to existing pipeline is made under pressure without necessity of water closing excluding usage of drilling apparatus
- In installations: for water, portable water and other neutral fluids at max. 60 ° C
- Suitable to direct underground installation
- Full inner and outer heavy anti-corrosion epoxy paint with min. level of 250µm in RAL5015 accordance to EN ISO 12944-5:2009 and DIN 30677-2, resistance for electrical breakdown 3kV
- Quality and repeatability accordance to EN ISO 9001:2015
- Hygienic certificate by National Health Institute – “PZH”
- CE certificate TUV-SUD



Unia Europejska



PROGRAM
REGIONALNY

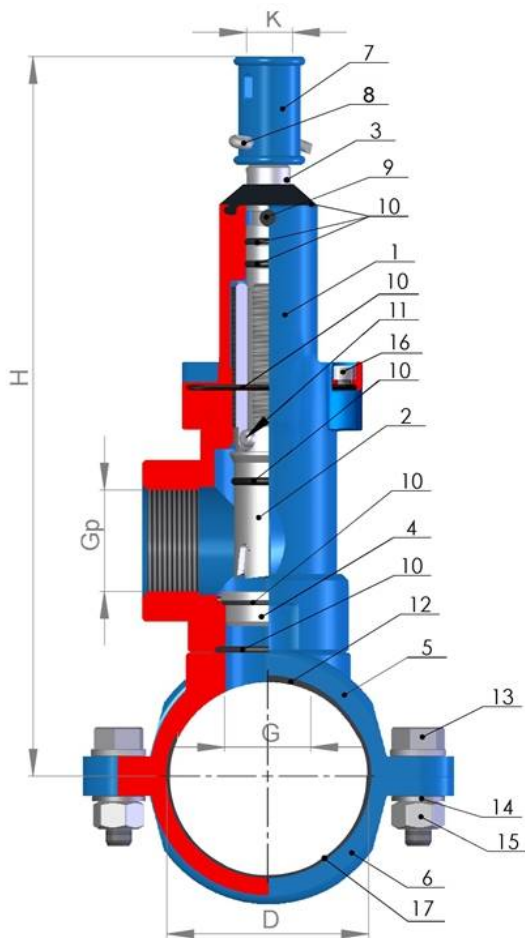
NARODOWA STRATEGIA SPÓJNOŚCI

EFRR – WRPO 2007- 2013

Tel. +48 (61) 427-22-45
Fax. +48 (61) 429-21-90
Mob. +48 694-434-602 / 883-321-851
marketing@efekt.gniezno.pl
inquiry@efekt.gniezno.pl
Skype : phuefekt_gniezno

SELF DRILLING TAPPING VALVE NWZ-SN

to PE & PVC pipes



Materials and construction characteristics :

No.	Part name	Material
1.	Body	Ductile iron GJS-400/500-7
2.	Drilling bit	Stainless steel X20CR13
3.	Mandrel	Stainless steel X20CR13
4.	Sealing ring	Stainless steel X20CR13
5.	Tapping saddle foot	Ductile iron GJS-500-7
6.	Tapping saddle	Ductile iron GJS-500-7
7.	Knob	Ductile iron GJS-500-7
8.	Cotter pin	Stainless steel X2CrNi18
9.	Blocking pin	Stainless steel X20CR13
10.	O-RING / Shaped O-ring	EPDM / NBR *
11.	Blocking pin	Stainless steel A1
12.	Saddle sealing	EPDM / NBR *
13.	Screw	Steel (Zn)
14.	Pad	Steel (Zn)
15.	Nut	140HV (Zn)
16.	Allen Screw	Steel (Zn)
17.	Saddle rubber coating	EPDM / NBR *

Technical specification :

DN	H	K	G	Gp	Catalogue No.	Weight	Versions
	[mm]		[mm / "']	[mm / "']		[kgs]	
63	320	14				6,6	PN10/16
75	320	14				7,5	PN10/16
90	320	14				7,7	PN10/16
110	320	14				7,8	PN10/16
125	320	14				7,9	PN10/16
140	320	14	5/4 / 32	5/4 / 32	5001	8,1	PN10/16
160	320	14	6/4 / 40	6/4 / 40		8,5	PN10/16
180	320	14	2" / 50	2" / 50		8,9	PN10/16
200	320	14				9,2	PN10/16
225	320	14				10,5	PN10/16
250	320	14				11,0	PN10/16
280	320	14				11,5	PN10/16
315	320	14			12,0	PN10/16	

Reflecting continuous progress of product development we reserve right for further construction changes or to produce product accordance to customer request.

Tel. +48 (61) 427-22-45
 Fax. +48 (61) 429-21-90
 Mob. +48 694-434-602 / 883-321-851
 marketing@efekt.gniezno.pl
 inquiry@efekt.gniezno.pl
 Skype : phuefekt_gniezno



Unia Europejska



PROGRAM REGIONALNY

NARODOWA STRATEGIA SPÓJNOŚCI

EFRR – WRPO 2007- 2013