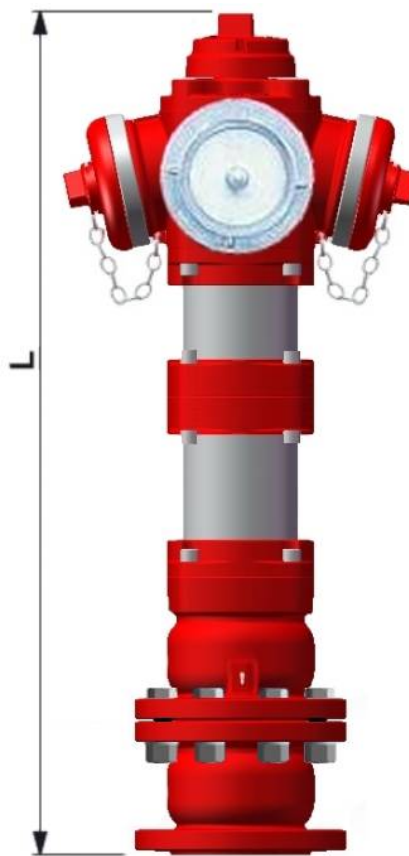


HYDRANTS



**Type: OVERGROUND HYDRANT – DN100 PN10/PN16 EN-14384
DOUBLE CLOSING (ball) with break-away system**



Materials and construction characteristics :

- Patented industrial design
- Patented efficated break-away system solution
- Manufactured accordance to EN 1074-1 / 6:2002 / EN 14384:2009
- Flange connections accordance to EN 1092-2:1999 [DIN 2501] PN10/16
- Second closing with ball piston, accordance to customer request ball can include inner reinforcement
- Three connection couplings accordance to DIN 14318 - STORZ at nominal pressure PN10/16
- Hydrant can be equipped in other types of couplings accordance to domestic market specification
- Full inner and outer heavy anti-corrosion epoxy paint with min. level of 250µm in RAL5015/3000 accordance to EN ISO 12944-5:2009, resistance for electrical breakdown 3kV including anti-UV addition
- Possibility of hydrant elements assembly and disassembly without necessity to surface interference surrounding hydrant,
- Possibility of head turnover in range of 360°
- Drainage takes place at the moment of complete closing of the hydrant
- Roots and roots covers made from aluminum or cast iron. Body and hydrant foot made of grey or ductile iron, column as per below table options, mandrel made of stainless steel, mandrel nut made of brass with trapeze thread,
- Medium temperature : 50°C
- Quality and repeatability accordance to EN ISO 9001:2008



Tel. +48 (61) 427-22-45
Fax. +48 (61) 429-21-90
Mob. +48 694-434-602 / 883-321-851
marketing@efekt.gniezno.pl
inquiry@efekt.gniezno.pl
Skype : phuefekt_gniezno



Unia Europejska



PROGRAM
REGIONALNY

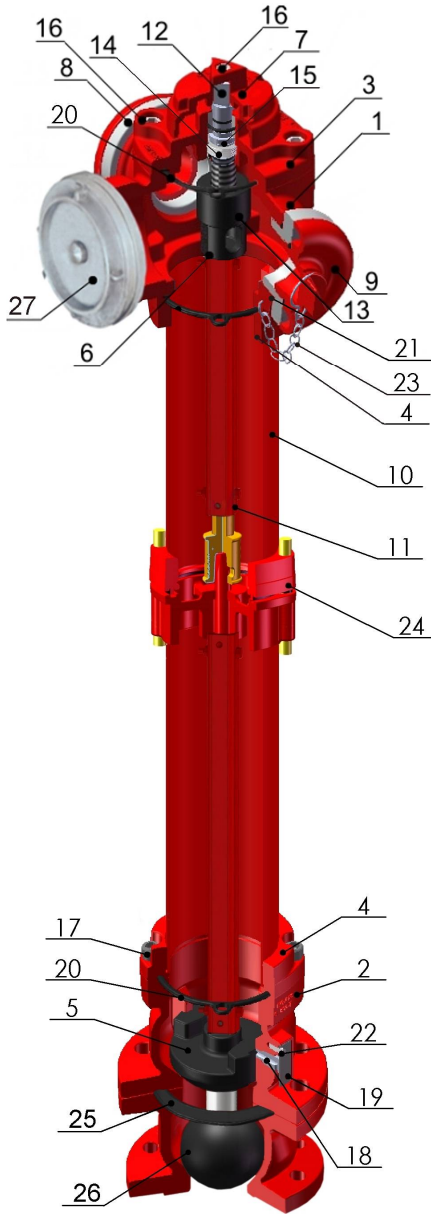
NARODOWA STRATEGIA SPÓJNOŚCI

EFRR – WRPO 2007- 2013

HYDRANTS



Materials and construction characteristics :



No.	Part	Material
1	Upper body	Cast iron EN GJL – 250 / Ductile iron EN GJS 500-7
2	Bottom body	Cast iron EN GJL – 250 / Ductile iron EN GJS 500-7
3	Upper lid	Cast iron EN GJL – 250 / Ductile iron EN GJS 500-7
4	Thrust collar	Cast iron EN GJL – 250 / Ductile iron EN GJS 500-7
5	Closing piston	Ductile iron EN GJS 500-7
6	Nut holder	Ductile iron EN GJS 500-7
7	Operating knob	Ductile iron EN GJS 500-7
8	Coupling	Aluminium alloy
9	Coupling lid	Cast iron EN GJL-250 or Aluminium alloy
10	Support column	Accordance to below table
11	Inner connector	Steel /galvanized steel / stainless steel
12	Mandrel	Stainless steel X20 Cr13 – 1.4021
13	Plug	Brass CuZn39Pb2
14	Plug	Polyamide
15	Distance pad	Polyamide
16	Allen screw	Steel ST3S/Zn5
17	Allen screw	Steel ST3S/Zn5
18	Drainage	Polyamide
19	Protection	Polyamide
20	Shaped sealing	EPDM
21	Coupling	Aluminium alloy
22	Screw	Steel St3S/Zn5
23	Chain	Steel St3S/Zn5
24	Breaking protector	Ductile iron EN GJS 500-7
25	Sealing gasket	EPDM
26	Ball	EPDM
27	Coupling	Aluminium alloy

Technical specification :

DN [mm]	L [mm]	RD [mm]	Weight [kgs]	Catalogue No.	Versions	Painting	Support column
100	1900	1250	70	9919-100	PN10/16	RAL3000 - red RAL5015 - blue	Steel – in standard * Stainless steel * Galvanized steel * Ductile iron
	2150	1500	73	9921-100	PN10/16		
	2450	1800	77	9924-100	PN10/16		

* - accordance to customer request

Reflecting continuous progress of product development we reserve right for further construction changes or to produce product accordance to customer request.



Tel. +48 (61) 427-22-45
 Fax. +48 (61) 429-21-90
 Mob. +48 694-434-602 / 883-321-851
 marketing@efekt.gniezno.pl
 inquiry@efekt.gniezno.pl
 Skype : phuefekt_gniezno



Unia Europejska



PROGRAM
REGIONALNY

NARODOWA STRATEGIA SPÓJNOŚCI

EFRR – WRPO 2007- 2013