

# Drilling valve spindle extension

rigid and telescopic spindle - with or without knob



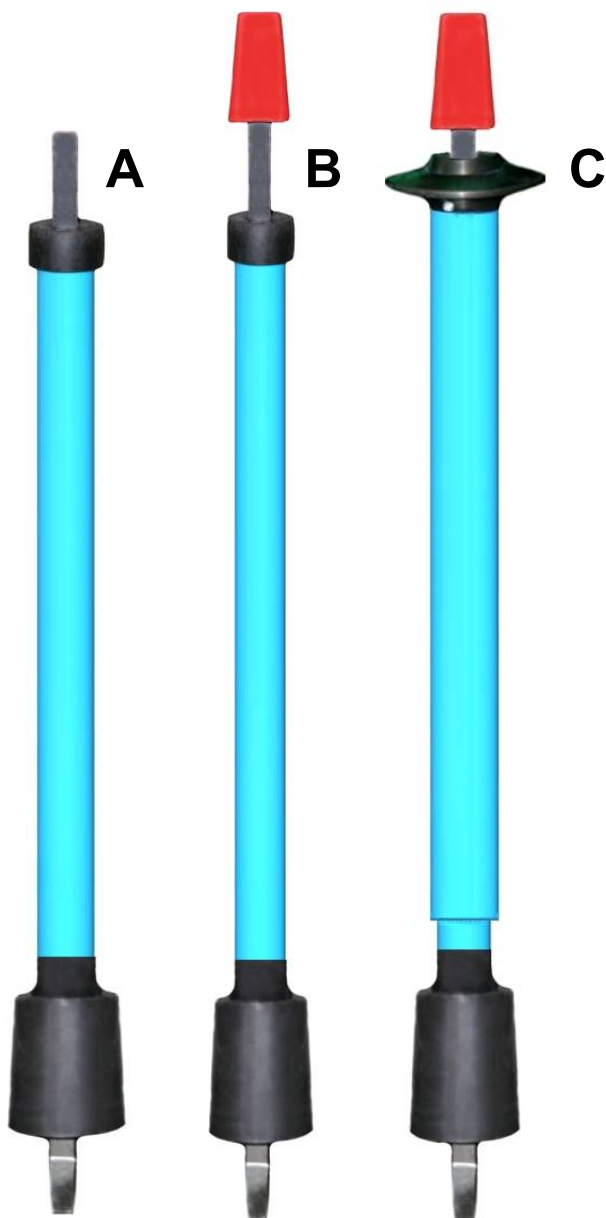
## Type : Drilling valve spindle extension – version A, B, C

Catalogue no. : 5010/5015/5020

A Spindle without knob

B Spindle with knob

C Telescopic spindle



Cat. no.:  
5010

Cat. no.:  
5015

Cat. no.:  
5020

### Application and construction characteristic :

- Spindles are designed to manual steering of drilling valve NWZ-SN(NCS) type which are installed underground. Spindles have simple mechanisms that allow to adjust spindle to required length,
- Rigid and telescopic spindles are sold at standard lengths but there exist possibility to produce spindle accordance to customer requirements,
- Operational knob made of EN GJL – 250 or ductile iron GJS-500-7
- We offer possibility of stainless / galvanized steel spindle inner elements production accordance to customer request,
- Standard lengths :
  - A : L = 1140 [mm],
  - B : L = 1180 [mm],
  - C : L max. = 1550 mm / L min = 1050 [mm]

Tel. +48 (61) 427-22-45  
Fax. +48 (61) 429-21-90  
Mob. +48 694-434-602 / 883-321-851  
marketing@efekt.gniezno.pl  
inquiry@efekt.gniezno.pl  
Skype : phuefekt\_gniezno



Unia Europejska



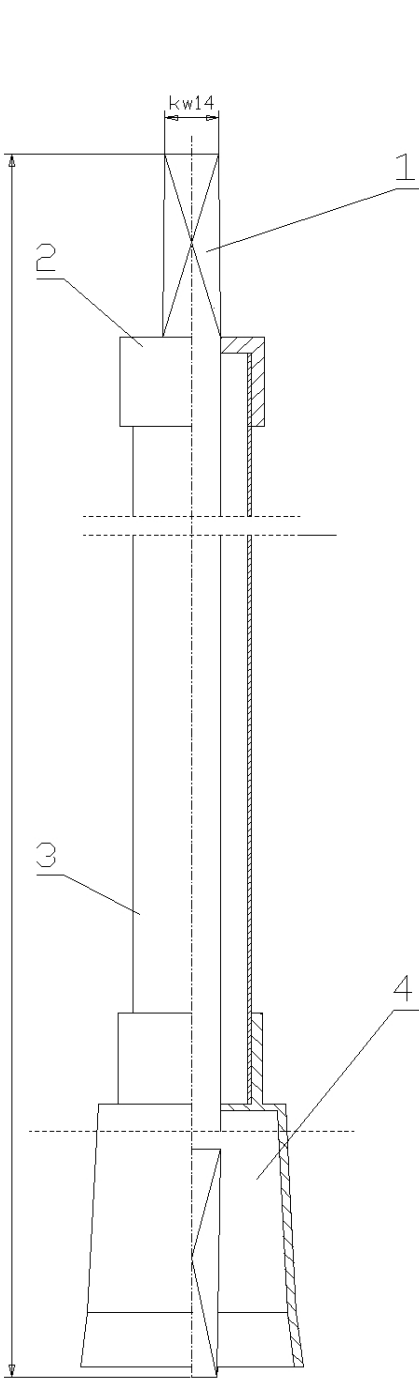
PROGRAM  
REGIONALNY

NARODOWA STRATEGIA SPÓJNOŚCI

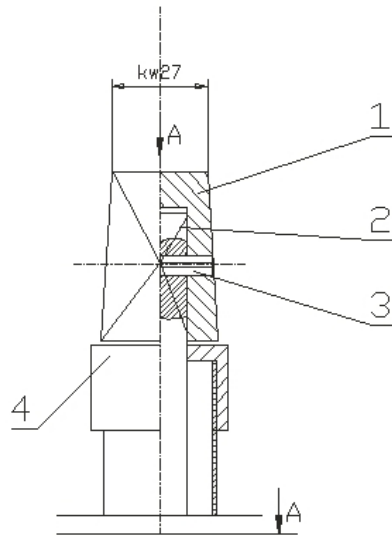
EFRR – WRPO 2007- 2013

# Drilling valve spindle extension

rigid and telescopic spindle - with or without knob



1. Square profile
2. Protection rubber
3. PE pipe
4. Spindle cup



1. Upper knob
2. Square rod
3. Spring pin
4. Protection rubber
5. PE pipe
6. Spindle cup

1. Upper knob
2. Square rod
3. Spring pin
4. Resistance plate
5. PE pipe
6. PE pipe
7. Square profile
8. Spring plates
9. Closed profile
10. Square profile
11. Closed profile
12. Spindle cup
13. Screw
14. Pad
15. Protection

